



IMAGEART MEDIA FRAME

The **IMAGEART MEDIA FRAME** is an easy to use Snap Frame System that accommodates large scale graphics, promotional signage, and backlit materials in a 1-1/4" thick frame

With our **IMAGEART MEDIA FRAME**, Large sized media graphics (up to 120" x 60") are typically printed on a DURATRANS film and backlit by evenly distributed light for beautiful displays that promote any artwork in a thin profile

The **IMAGEART MEDIA FRAME** may be used for a variety of applications that include:



Branding



Residential



Restaurants



Custom Fixtures



Hospitality



Retail



Healthcare



Gallery Displays



Signage



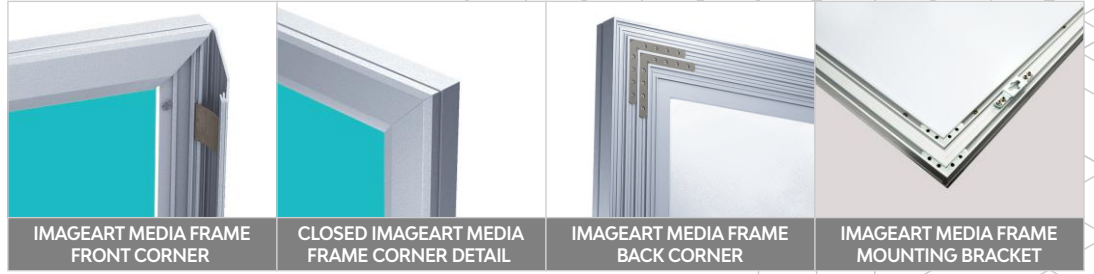
Custom Art Displays



Bar



Commercial Interior

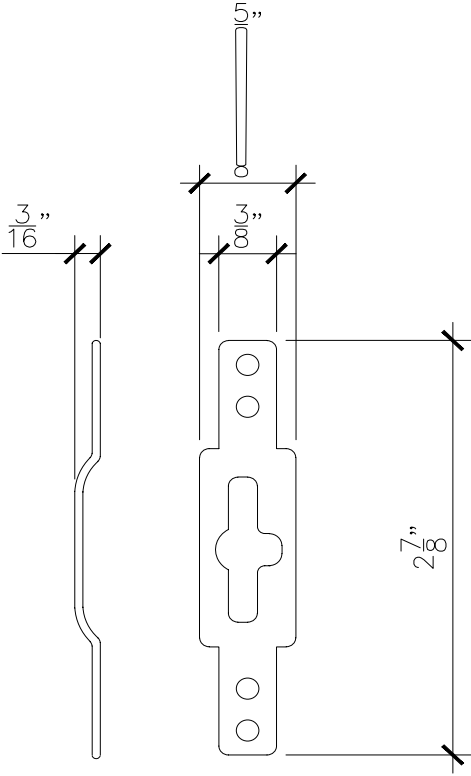


IMAGEART MEDIA FRAME FRONT CORNER

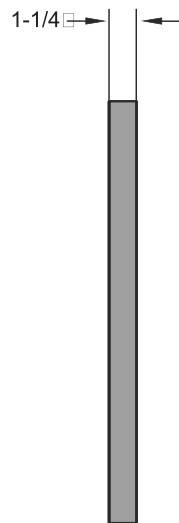
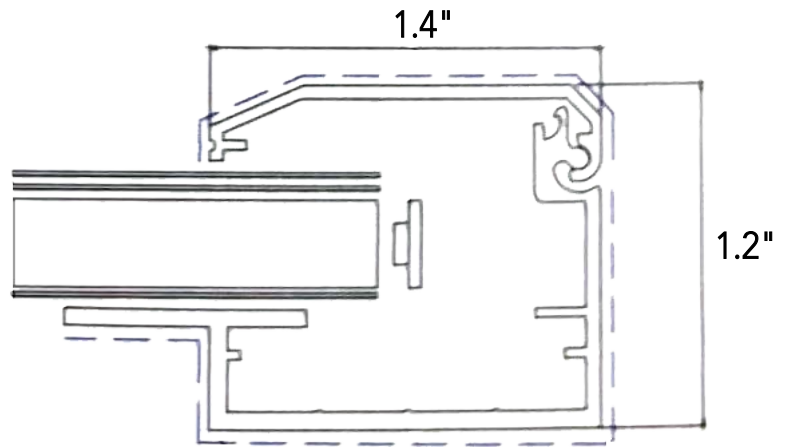
CLOSED IMAGEART MEDIA FRAME CORNER DETAIL

IMAGEART MEDIA FRAME BACK CORNER

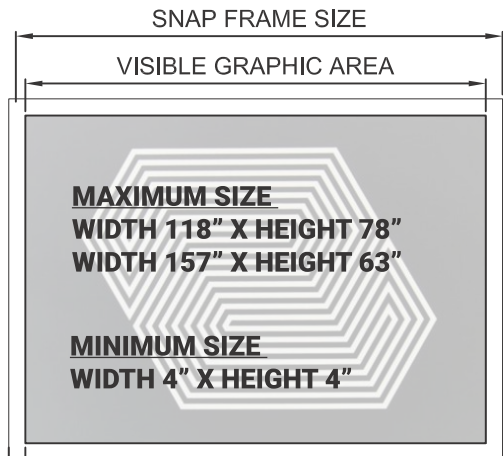
IMAGEART MEDIA FRAME MOUNTING BRACKET



Standard Keyhole Mounting Bracket



STANDARD & HIGH POWER



35 MM [1 3/8 IN]

VISIBLE GRAPHIC AREA
FRAME SIZE MINUS (-) 1-3/8 IN.
(35MM) on each side



General Specifications

LIGHT WEB TECHNOLOGY™ :

3D etched patterns to evenly distribute light throughout the panel. Patterns available are GRID, DOT and MICRODOT™

THICKNESS:

1-1/4"

MAXIMUM SIZE AND PROPORTIONS:

120" x 60"

MINIMUM SIZE:

6" x 6"

POWER OPTIONS:

24VDC Standard and 24VDC High Power

DRIVER INPUT VOLTAGE :

100V TO 480V

LONG LIFE :

Over 50,000 hours = Nearly 12 years based on 12 hours a day. Once installed, the LightPanel System is virtually maintenance free.

WATTAGE :

4.3 W/Ft . -24V Standard Power (Optional: 12V)
5 W/ Ft. - 24V - High Power
*ask eos specialist for information on RGB, RGBW and Color Tuning options.

DIMMABLE :

The system is dimmable to <10% when matched with Dimmable Power Supplies

LEDs :

ANSI Binned LEDs from Tier 1 Suppliers
LED CRI > 80
LED CRT - 1800K - 7500K, RGBW, RGB, Tunable, UV

WIRE GAUGE:

20GA Wiring for White and Color Tuning Panels, 24GA for Color

SERVICE AND INSTALLATION :

The ImageArt MediaFrame comes with standard keyhole surface mounts, optional suspension mounts are also available.

IP RATNG:

Indoor Rated

Optional Specifications



COMPATIBLE POWER SUPPLIES :

- 0-10V dimming • DMX/DALI
- Electronic low voltage (ELV)
- RF Dimmable Plug In
- Inline Dimmable Plug-In



OUTPUT OPTIONS:

24V Standard Power or 24V High Power available. 12V available upon request



COLOR TEMPERATURES :

- 1800K • **2400K** • **2700K** • **3000K**
- 3500K • **4000K** • 5000K
- **6000K** • **6500K** • 7500K
- UV (Ultraviolet) • RGB, RGBW and Color Tuning options available

*formerly 5300K

Bolded colors are commonly available in stock.



APPROVALS AND CERTIFICATIONS:

The System is UL listed for Architectural applications and UL recognized for signage. All power supplies are UL / ETL listed.

<https://eoslight.com/user-guide/>



DOWNLOAD OUR USER GUIDE FOR WIRING & INSTALLATION INSTRUCTIONS



