



# OUTDOOR CLOUD LUMINAIRE

The **OUTDOOR CLOUD LUMINAIRE** is an IP65 rated squared ceiling fixture with a clean modern aesthetic for outdoor or damp locations. Available in glossy and matte finish options.

The **OUTDOOR CLOUD LUMINAIRE** can be suspended or used as an aircraft cable suspended or flush mounted ceiling fixture.

Suitable for the following applications:



Hospitality



Commercial Interior



Restaurants



Bar



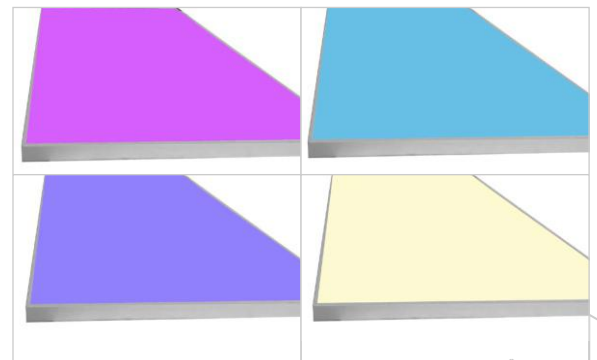
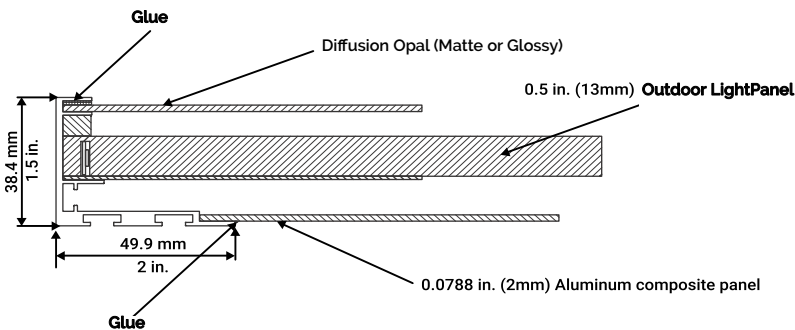
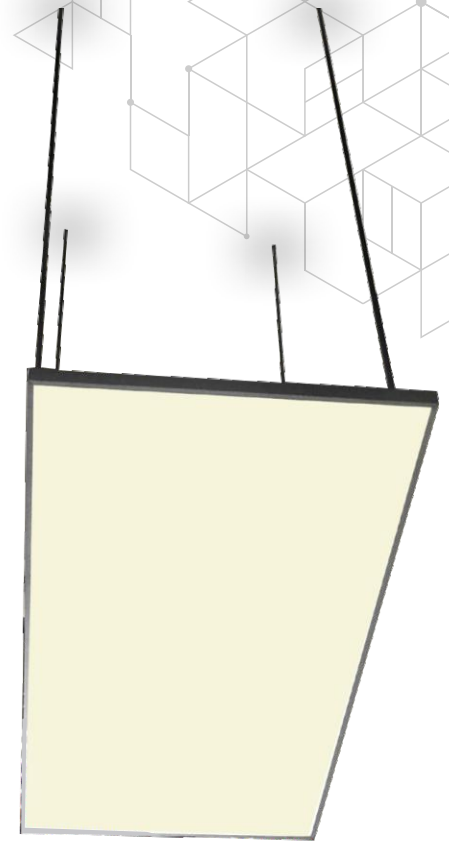
Residential



Retail



Healthcare



RGBW Option

## FEATURES :

- Single Sided Illumination
- Medium and Small Sizes
- Low Power
- Easy Installation and assembly with standoffs.



# General Specifications

## LIGHT WEB TECHNOLOGY™ :

3D etched patterns to evenly distribute light throughout the panel. Patterns available are GRID, DOT and MICRODOT™

## THICKNESS:

1-1/2"

## POWER OPTIONS:

24VDC Standard and 24VDC High Power

## MAX DIMENSIONS

96"x48"

## DRIVER INPUT VOLTAGE :

100V TO 480V

## LONG LIFE :

Over 50,000 hours = Nearly 12 years based on 12 hours a day. Once installed, the LightPanel System is virtually maintenance free.

## WATTAGE :

4.3 W/Ft. - 24V Standard Power (Optional: 12V)  
5 W/ Ft. - 24V - High Power  
\*ask eos specialist for information on RGB, RGBW and Color Tuning options.

## DIMMABLE :

The system is dimmable to <10% when matched with Dimmable Power Supplies

## LEDs :

ANSI Binned LEDs from Tier 1 Suppliers  
LED CRI > 80, 95+ Premium option  
LED CRT - 1800K - 7500K, RGBW, RGB, Tunable, UV

## WIRE GAUGE:

20GA Wiring for White and Color Tuning Panels, 24GA for Color

## DAMP LOCATION :

All Outdoor LightPanels are Damp Location Rated (IP65) when driven with a Class 2 Power Supply. Pre-drilled holes on outdoor LightPanels will reduce IP rating.

## SERVICE AND INSTALLATION :

Outdoor Cloud Luminaires come with standard keyhole surface mounts, optional suspension mounts are also available.



Back of CLOUD MEDIA FRAME



Front of CLOUD MEDIA FRAME



Suspended CLOUD MEDIA FRAME by rigid poles

# Optional Specifications



## COMPATIBLE POWER SUPPLIES :

- 0-10V dimming • DMX/DALI
- Electronic low voltage (ELV)
- RF Dimmable Plug In
- Inline Dimmable Plug-In



## OUTPUT OPTIONS:

24V Standard Power or 24V High Power available. 12V available upon request



## COLOR TEMPERATURES :

- 1800K • **2400K** • **2700K** • **3000K**
- 3500K • **4000K** • 5000K
- **6000K** • **6500K** • 7500K
- UV (Ultraviolet) • RGB, RGBW and Color Tuning options available

\*formerly 5300K

**Bolded** colors are commonly available in stock.



## APPROVALS AND CERTIFICATIONS:

The System is UL listed for Architectural applications and UL recognized for signage. All power supplies are UL / ETL listed.

<https://eoslight.com/user-guide/>



DOWNLOAD OUR USER GUIDE FOR WIRING & INSTALLATION INSTRUCTIONS





# Product Specification Ordering Form

NAME:	PROJECT NAME:	ADDRESS:
PHONE:	PROJECT LOCATION:	CITY:
EMAIL:	ANTICIPATED DELIVERY DATE:	ZIP CODE:
COMPANY NAME:	PROJECT SPECIFIER:	RUSH PROJECT: <input type="checkbox"/> Yes <input type="checkbox"/> No

QTY	FIXTURE TYPE	VOLTAGE	DIMENSIONS (INCHES) TOP SIDE		LED SIDES	COLOR TEMP	LED POWER	CORD LENGTH	CORD LOCATION	CORD COLOR	POWER SUPPLY
5	WC	24V	48	50	4SL	2700	SP	CC6	TL	BC	HW

## A FIXTURE TYPE

### LUMINAIRE

**WC - OUTDOOR CLOUD LUMINAIRE**

## B VOLTAGE

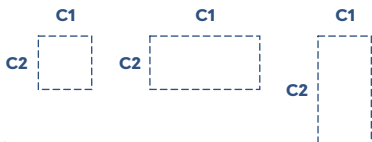
**24V** - 24V (Standard)  
**12V** - 12V (Optional)

## C DIMENSIONS

(Generated by Client)

**C1**- Top Dimension

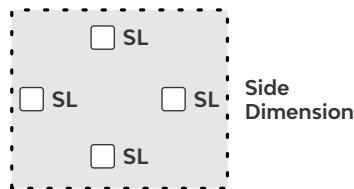
**C2**- Side Dimension



## D LED SIDES

**1SL** - One Side  
**2SL** - Two Sides  
**3SL** - Three Sides  
**4SL** - Four Sides

Top Dimension



\*Please note, the longest length is typically the LED side when selecting 1SL or 2SL

## E COLOR TEMP

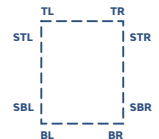
<b>1800</b> - 1800K	<b>6500</b> - 6500K
<b>2400</b> - 2400K	<b>7500</b> - 7500K
<b>2700</b> - 2700K	<b>UV</b> - Ultraviolet
<b>3000</b> - 3000K	<b>RGB</b> - Color Changing
<b>3500</b> - 3500K	<b>RGBW</b> - Color Changing + White (6000K, 4000K, 2700K)
<b>4000</b> - 4000K	
<b>5000</b> - 5000K	
<b>6000</b> - 6000K	<b>CT</b> - Color Tuning (2400K to 6000K)

## F LED POWER

**SP**- Standard Power    **PSP**- Premium Standard Power (95+ CRI)  
**HP**- High Power        **PHP**- Premium High Power (95+ CRI)

## G POWER CORD LENGTH

**SC** - Standard -9.8 ft.  
**CC\_** - Custom Length \_\_\_\_ ft



## H POWER CORD EXIT

**TL** - Top Left Corner    **BL** - Bottom Left Corner  
**TR** - Top Right Corner   **BR** - Bottom Right Corner  
**STL** - Side Top Left Corner   **SBL** - Side Bottom Left Corner  
**STR** - Side Top Right Corner   **SBR** - Side Bottom Right Corner

## I POWER CORD COLOR

**BC** - Black    **WC** - White

## J POWER SUPPLY INFO

**010V** - 010V Dimmable Hardwire  
**ELV** - Electronic Low Voltage Dimmable Hardwire  
**DMX** - DMX /DALI  
**PI** - Plug In, DC Jack  
**DPI** - Dimmable Plug in w/ remote  
**HW** - Non-Dimmable Hardwired

